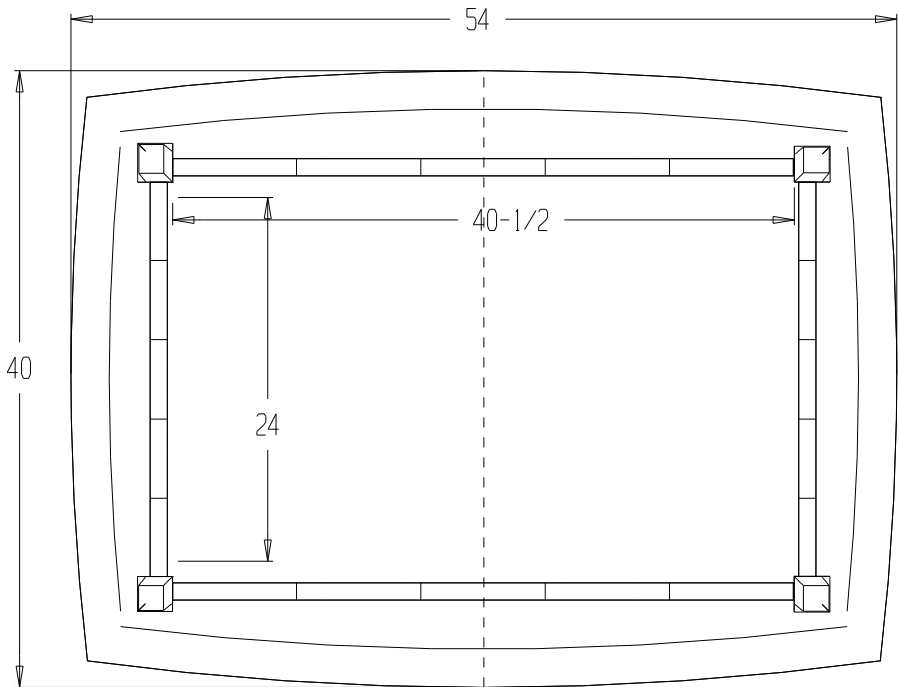
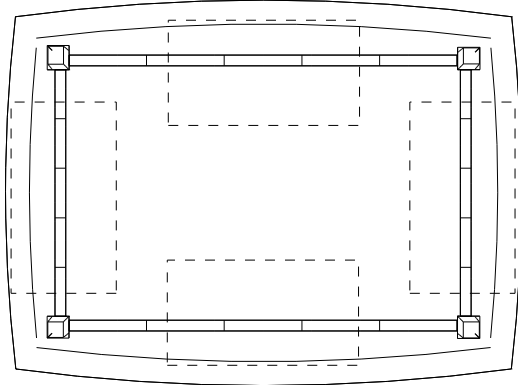


CUSTOMER	FILE NAME	LAYOUT NAME	FILE PATH	DATE
	40-54.ckd	main	C:\Users\gaane\Dropbox\IGAF\Drawings and Tech\Dining Tables\Pacific 4 Leg	

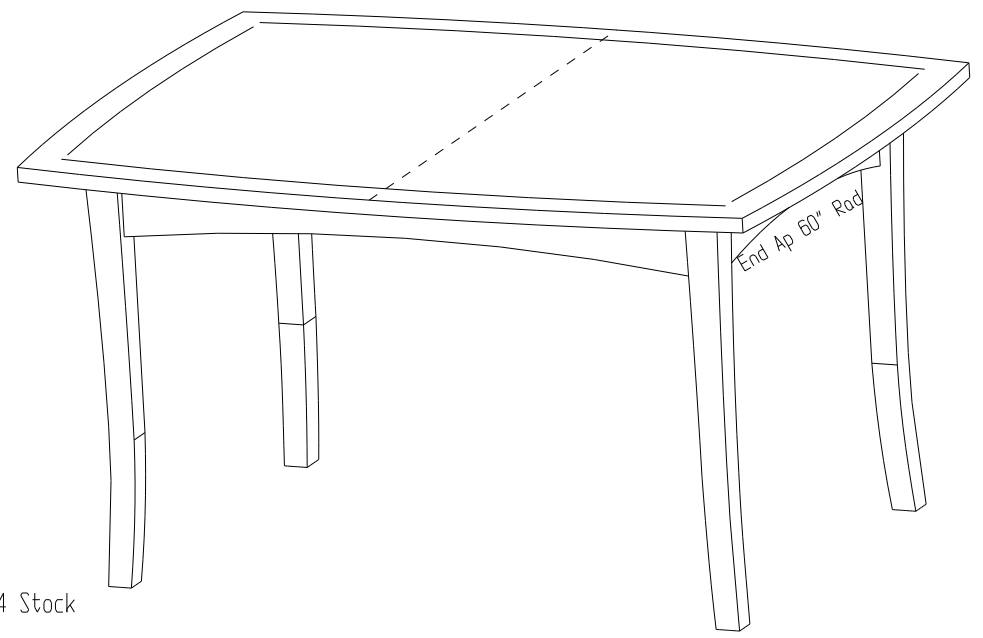
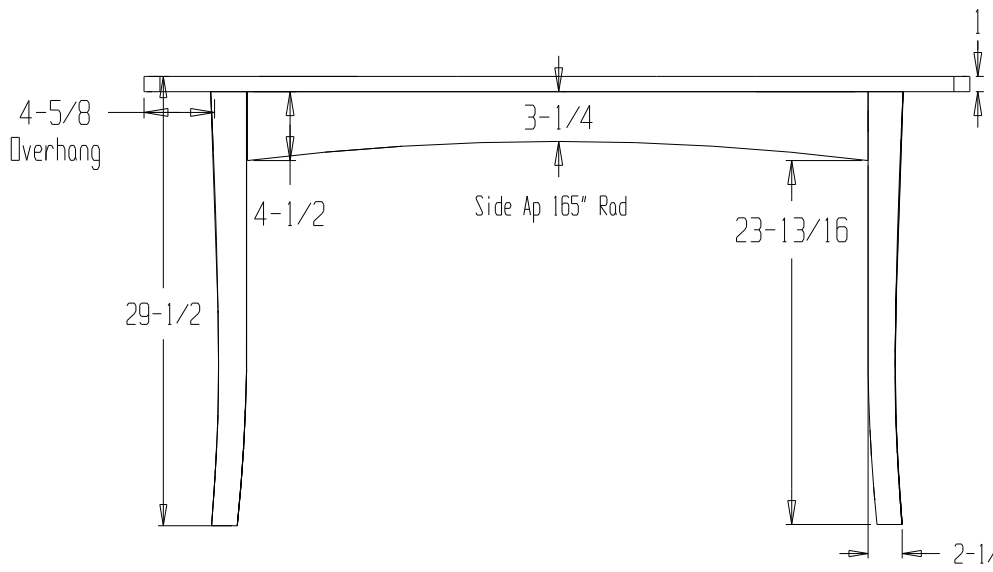
©2017 All designs and content provided on this drawing are protected by United States copyright law and may not be reproduced, distributed, transmitted, displayed, or published without the prior written permission of Greg Aanes Furniture Inc.



20 x 11 place settings shown



Maximum three 20" Leaves



QTY FINISHED ASSEMBLIES	1	Split Top	Panels must be kept dry and have free air circ through out process	Rail Lengths are shoulder to shoulder +/- .032	Rails must be coincident in size +/- .015	Mortice and Tenon Joints: only Tenon drawn and dimensioned. Mill Mortice larger as needed.	Face flatten all rails, legs and stretchers before planing
	1	Opening Base					
	1	20" Leaf					