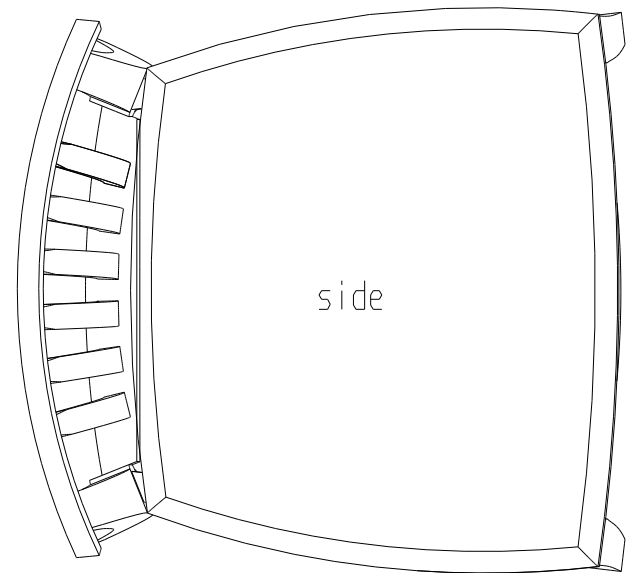


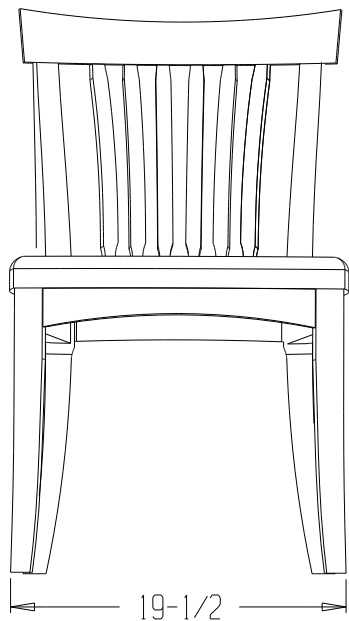
CUSTOMER Pacific Loback Diner	FILE NAME LB PDC side.ckd	LAYOUT NAME Main catalog	FILE PATH C:\Users\gaane\Dropbox\IGAF\Drawings and Tech\Pacific Diners	DATE 3-7-2011
----------------------------------	------------------------------	-----------------------------	---	------------------

©2011 All designs and content provided on this drawing are protected by United States copyright law and may not be reproduced, distributed, transmitted, displayed, or published without the prior written permission of Greg Aanes Furniture Inc.

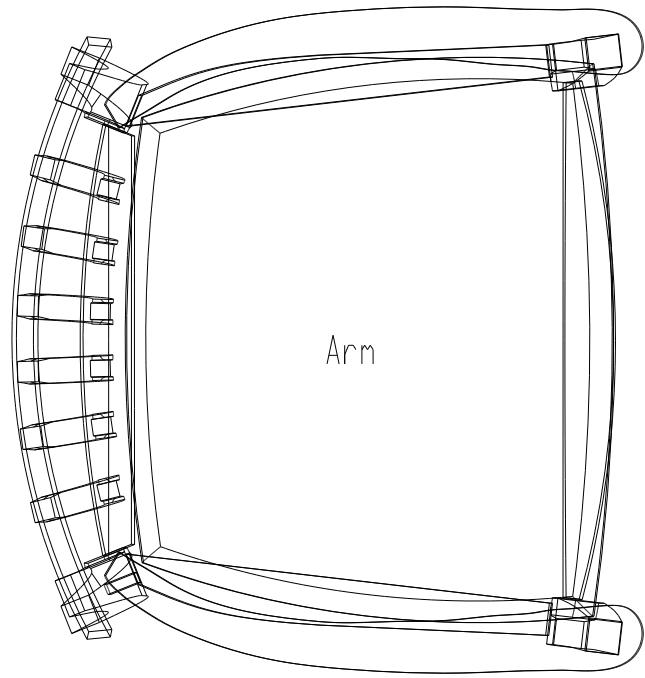
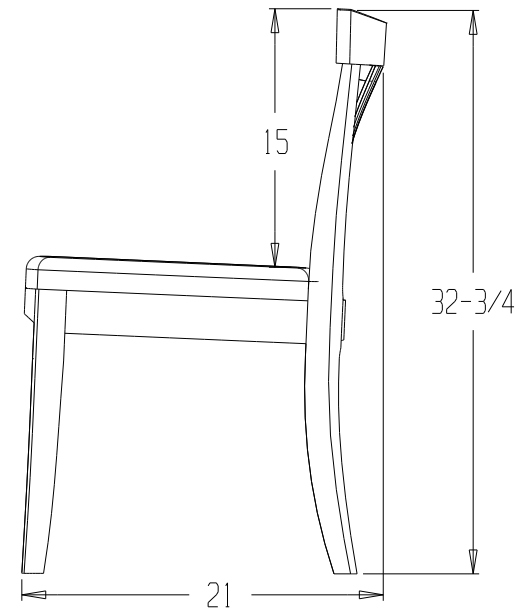


side

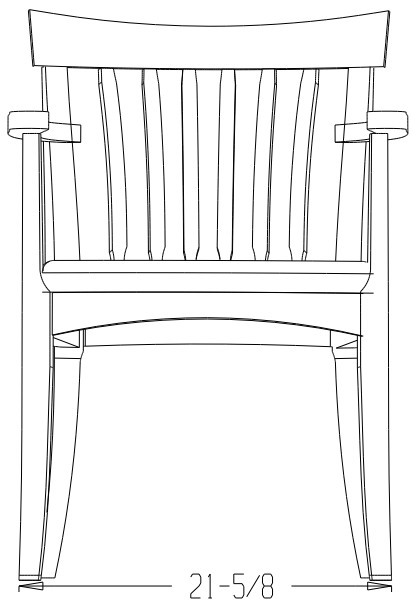
Cushion or Wood Seat- interchangeable



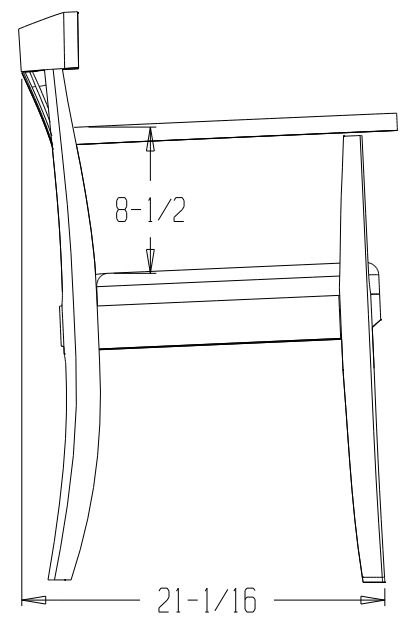
19-1/2



Arm



21-5/8



QTY FINISHED ASSEMBLIES	X	XXXXXXXX
	X	XXXXXXXX
	X	XXXXXXXX

Panels must be kept dry and have free air circ through out process

Rail Lengths are shoulder to shoulder +/- .032

Rails must be coincident in size +/- .015

Mortice and Tenon Joints: only Tenon drawn and dimensioned. Mill Mortice larger as needed.

Face flatten all rails, legs and stretchers before planing