

CUSTOMER  
Pacific Classic MidBack Chair

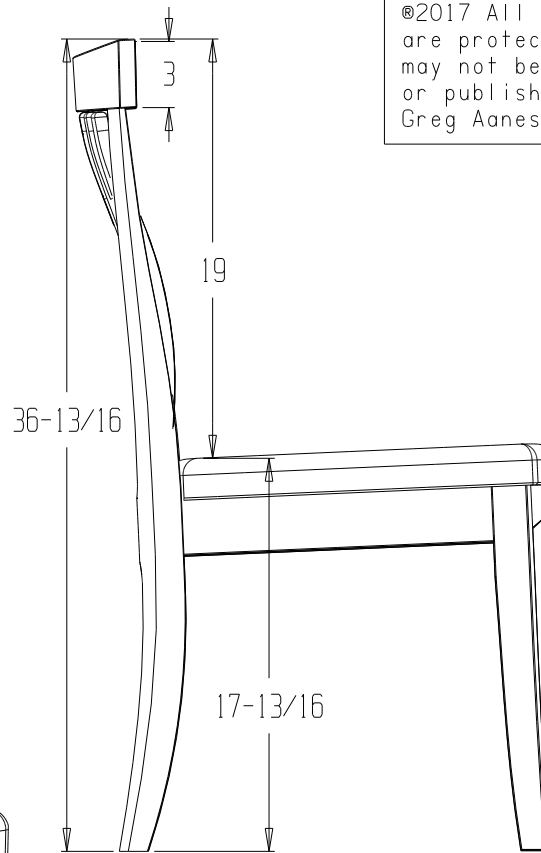
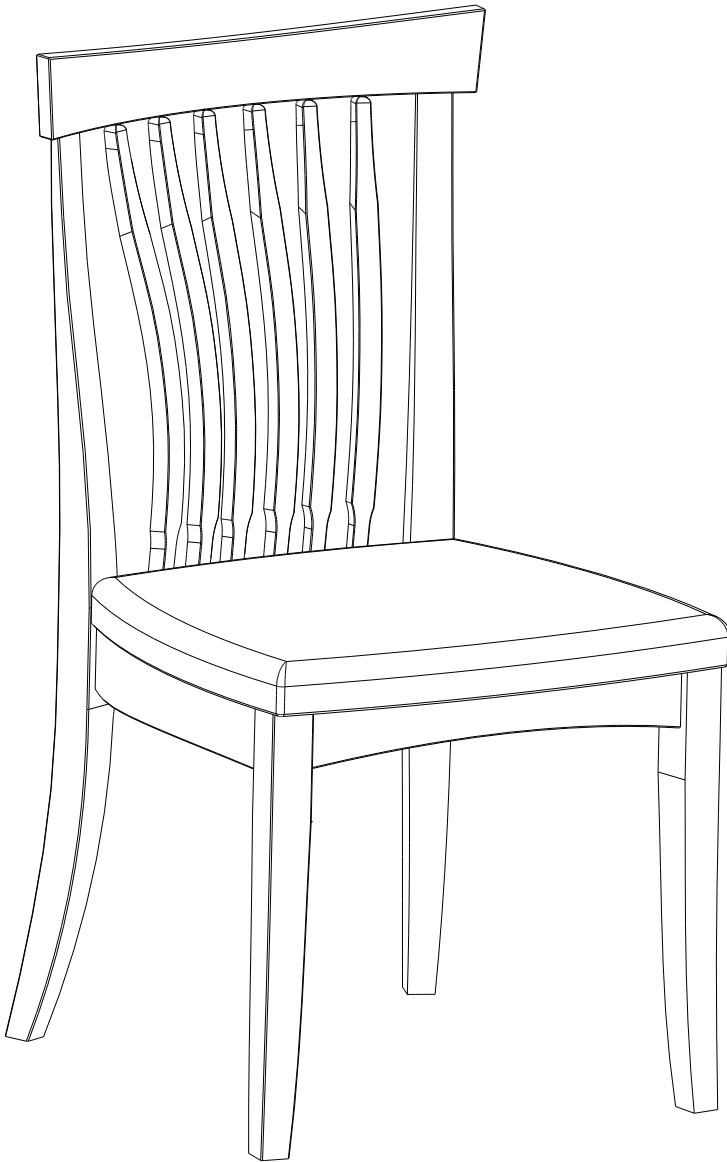
FILE NAME  
MB PDC side.ckd

LAYOUT NAME  
Main Catalog

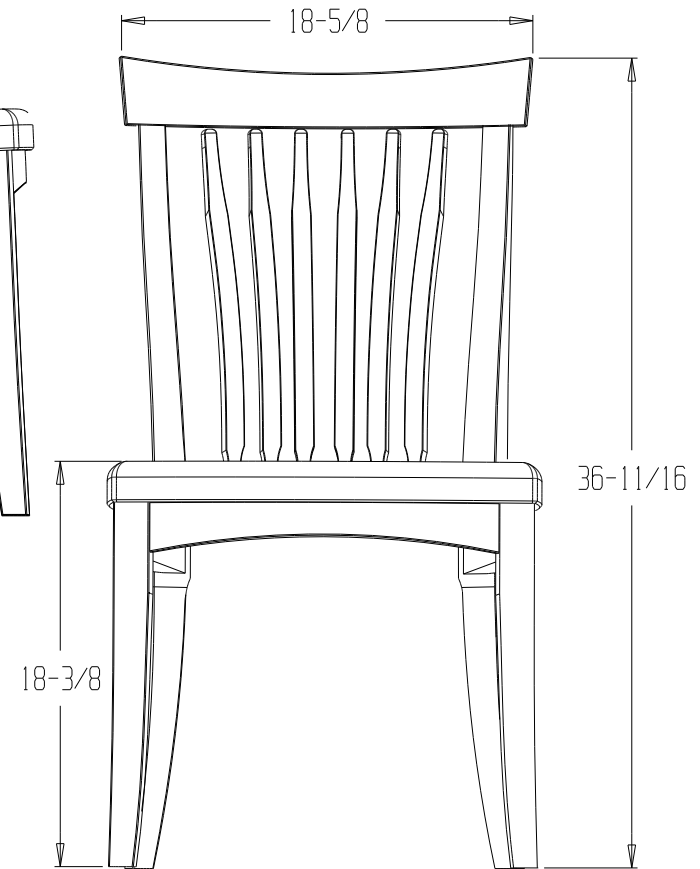
FILE PATH  
C:\Users\gaane\Dropbox\IGAF\Drawings and Tech\Pacific Diners

DATE

©2017 All designs and content provided on this drawing are protected by United States copyright law and may not be reproduced, distributed, transmitted, displayed, or published without the prior written permission of Greg Aanes Furniture Inc.



FL, SA, BA all  
Pacific Tall



QTY FINISHED ASSEMBLIES	X	XXXXXXXXXX
	X	XXXXXXXXXX
	X	XXXXXXXXXX

Panels must be kept dry and have free air circ through out process

Rail Lengths are shoulder to shoulder +/- .032

Rails must be coincident in size +/- .015

Mortice and Tenon Joints: only Tenon drawn and dimensioned. Mill Mortice larger as needed.

Face flatten all rails, legs and stretchers before planing